

Tideway®

1-1/4" x 1" Stainless Steel Grunpump (series SSCH4)

Stock Code:-

880207007 SSCH4-20
 880207008 SSCH4-30
 880207009 SSCH4-40
 880207010 SSCH4-50

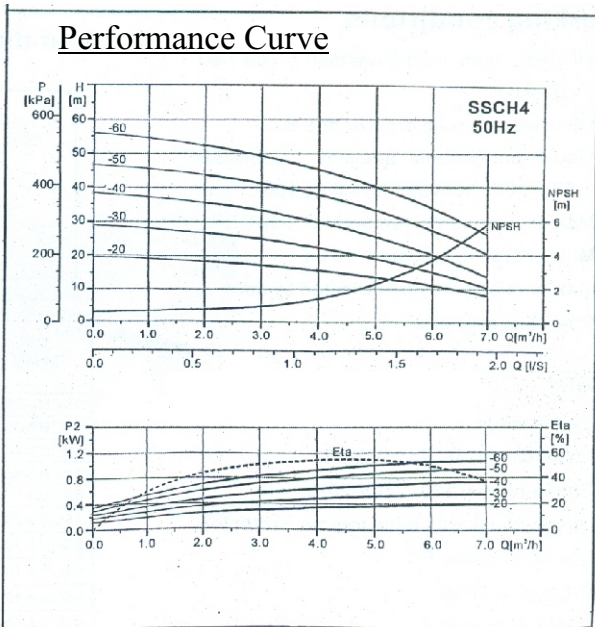


SSCH 4 - 20

Rated flow m³/h _____

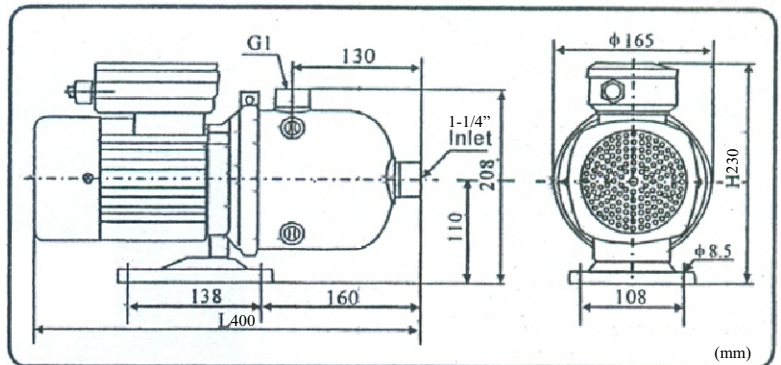
Number of steps x 10 _____

- * High Strength * Heavy Duty * Water protection level : IP55 * Minimal Vibration * Safe certification assured
- * Low Noise * Insulation class : F - able to hold temperature up to 150°C * Safety assured thermal protection



Application:-

- ⊗ Air conditioning system.
- ⊗ Water treatment.
- ⊗ Pressure booster.
- ⊗ Heating & cooling water on industrial processing line.
- ⊗ Fertilization / metering system.
- ⊗ Agriculture cultivation.
- ⊗ Convey liquid without solid granules.



Model	Motor (kW / PH)	Voltage / Hertz (V / Hz)	Flow (m ³ /h)	Head (m)						Dimension (mm)	Weight (kg)
				2.0	3.0	4.0	5.0	6.0	7.0		
SSCH4-20	0.55 / 1PH	240 / 50		18	16	15	13	10	7	435 x 215 x 290	10
SSCH4-30	0.75 / 1PH	240 / 50		27	25	22	19	15	10		11
SSCH4-40	0.75 / 1PH	240 / 50		36	33	30	26	20	14		11.5
SSCH4-50	1.0 / 1PH	240 / 50		44	41	38	32	26	20		12
SSCH4-60	1.1 / 1PH	240 / 50		53	50	45	40	33	24	not available	12.5

***Product's specification may subject to change without further notice.
 ***Actual product may slightly differ from pictures shown.

ESM350
 (28/12/10)